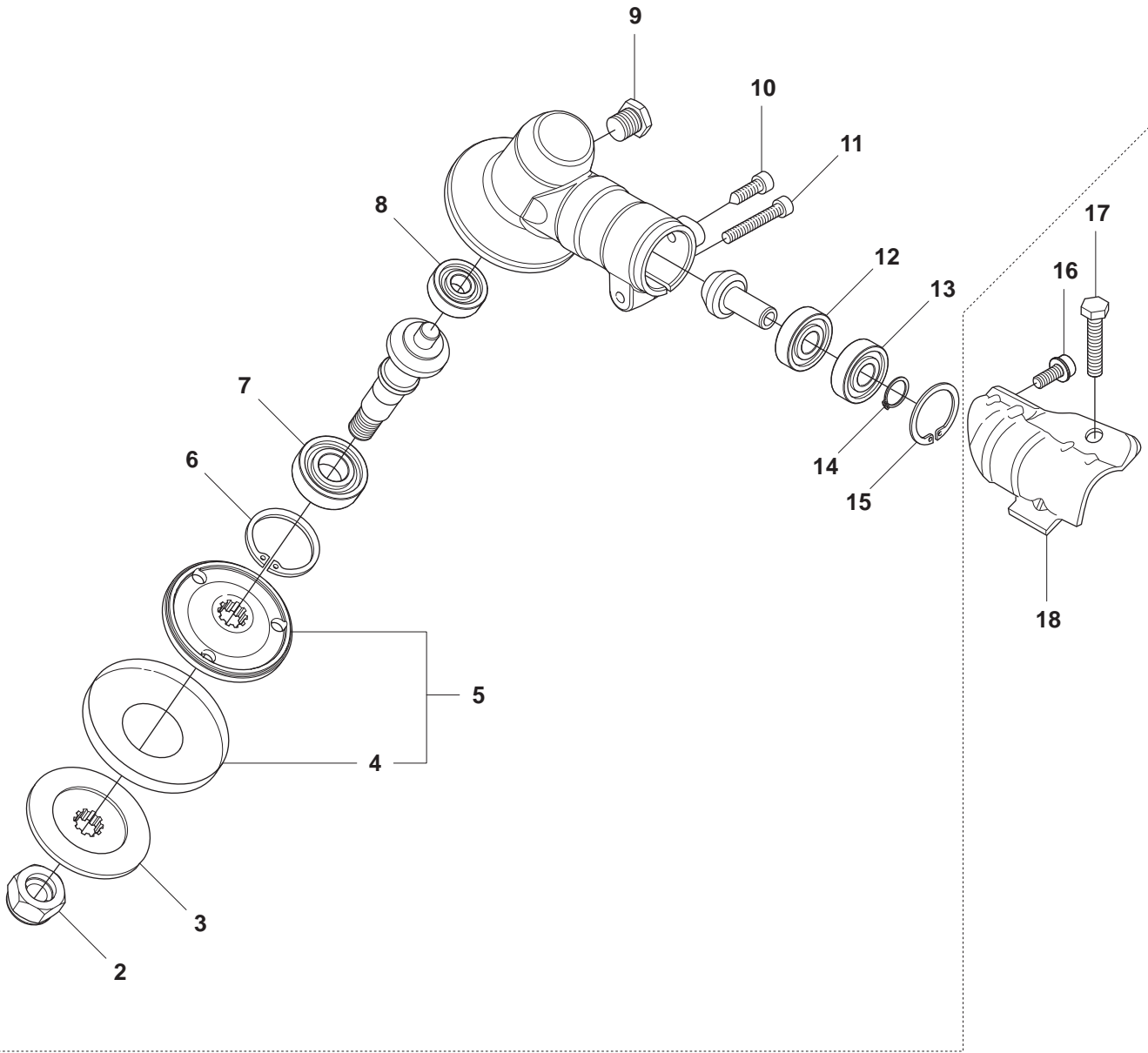


A

1



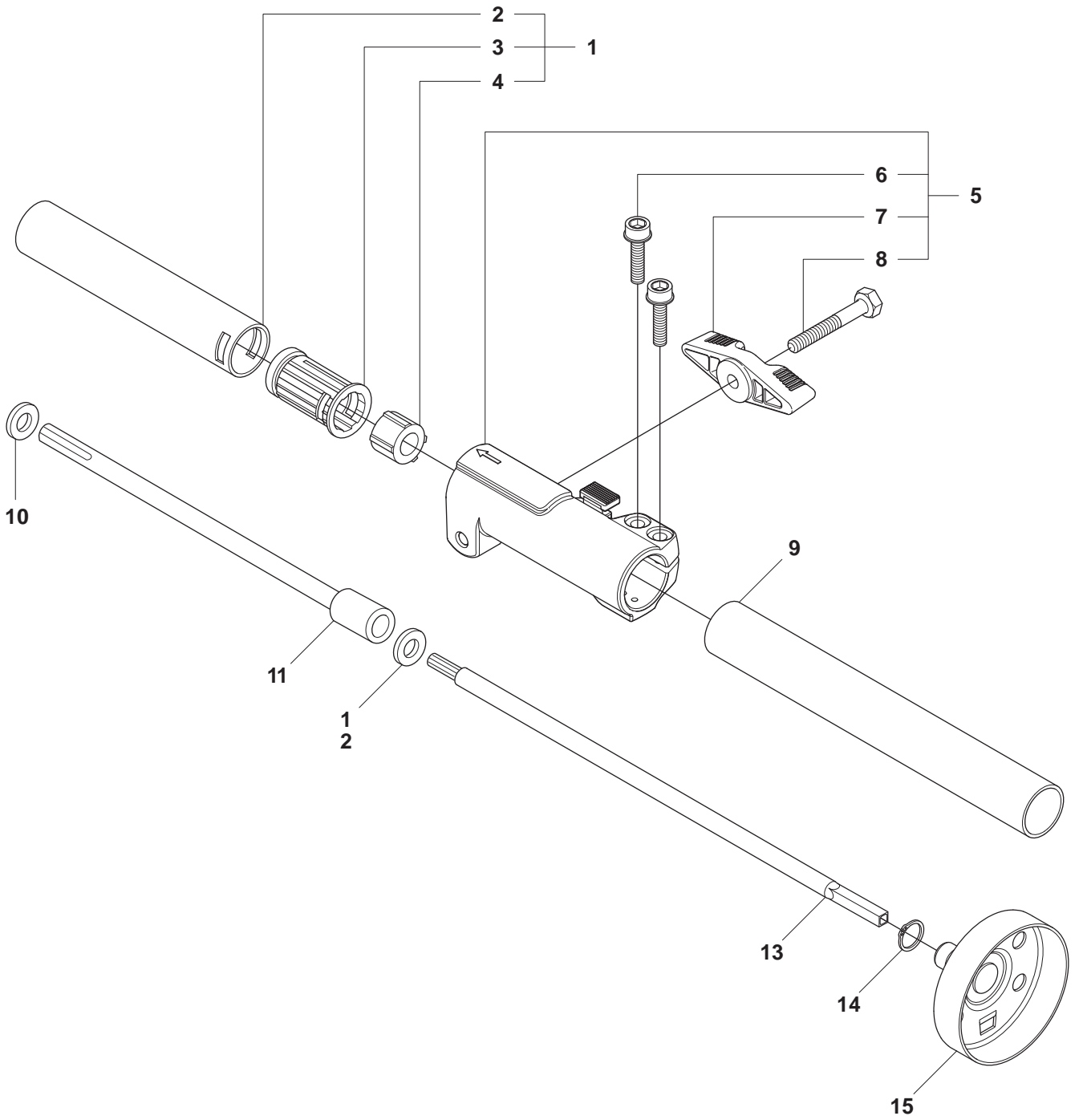
Brand
HUSQVARNA

Page Title	Page Note
BEVEL GEAR	1

A	Article #	Quantity	Notes	Kit
1	537 19 92-02	1		
2	503 85 63-01	1		1
3	537 28 56-01	1		1
4	537 29 26-01	1		1, 5
5	537 23 49-01	1		1
6	735 31 28-10	1		1
7	503 25 24-01	1		1
8	738 21 98-00	1		1
9	503 20 15-01	1		1
10	503 20 14-12	1		1
11	503 20 07-25	1		1
12	738 21 99-00	1		1
13	738 21 99-02	1		1
14	735 31 11-00	1		1
15	735 31 25-10	1		1
16	503 20 07-12	1		
17	725 23 70-51	1		
18	503 93 55-01	1		

B					
Position #	Article #	Quantity	Notes	Kit	
1	725 23 80-51	1	Lx		
2	725 23 78-51	1	L, LS		
3	503 87 90-01	1	Lx		
4	503 23 00-61	1	L, LS		
5	503 88 88-01	1			
6	503 87 19-01	1	L, LS		
6	503 87 19-03		Lx		
7	503 94 03-01	1			
8	503 20 07-16	1	RJx		
9	503 94 10-01	1	RJx		
10	731 23 14-01	1	RJx		
11	502 19 71-01	1			
12	503 21 68-16	3	RJx		
13	503 99 78-01	1	RJx		
14	537 23 48-01	1			
15	735 31 12-00	1			
16	537 23 75-01	1			
17	537 29 48-01	1			
18	503 79 56-01	1			
19	537 10 10-01	1	RJx		

C 327LDx
327RDx



16



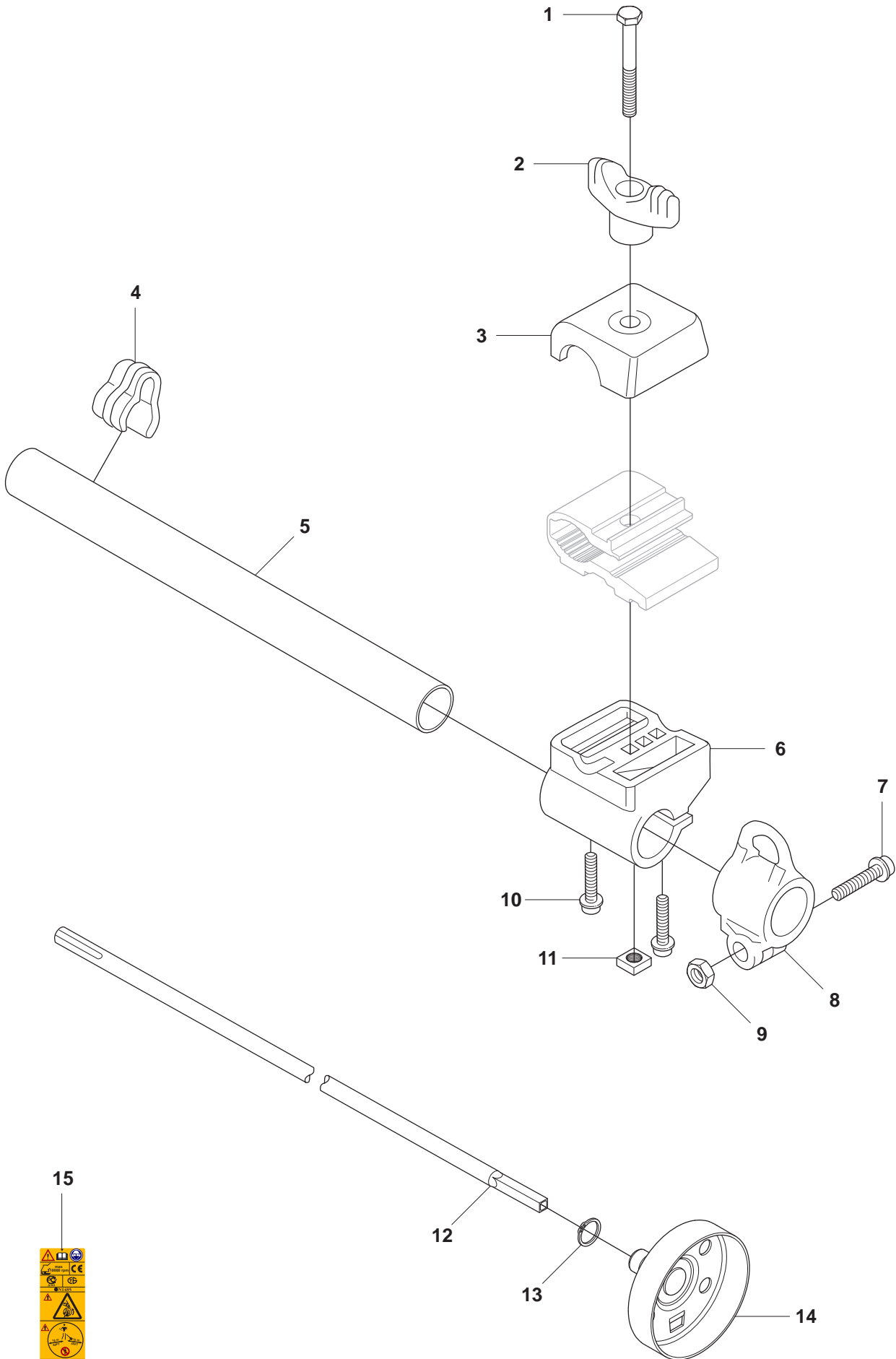
17



Page Title	Page Note	Sequence # (i vilken ordning bilderna ska komma i listan)
SHAFT		3

C		Quantity	Notes	Kit
Position #	Article #			
1	537 07 99-01	1		
2	537 08 27-01	1		1
3	544 37 87-01	1		1
4	503 78 52-01	1		1
5	544 36 75-01	1		
6	729 92 18-01	2		5
7	502 20 38-01	1		5
8	725 23 79-51	1		5
9	537 01 16-01	1		
10	735 58 08-10	1		
11	537 01 19-01	1		
12	735 58 08-10	1		
13	544 11 37-01	1		
14	735 31 12-00	1		
15	537 23 75-01	1		
16	537 29 48-01	1		
17	503 79 56-01	1		

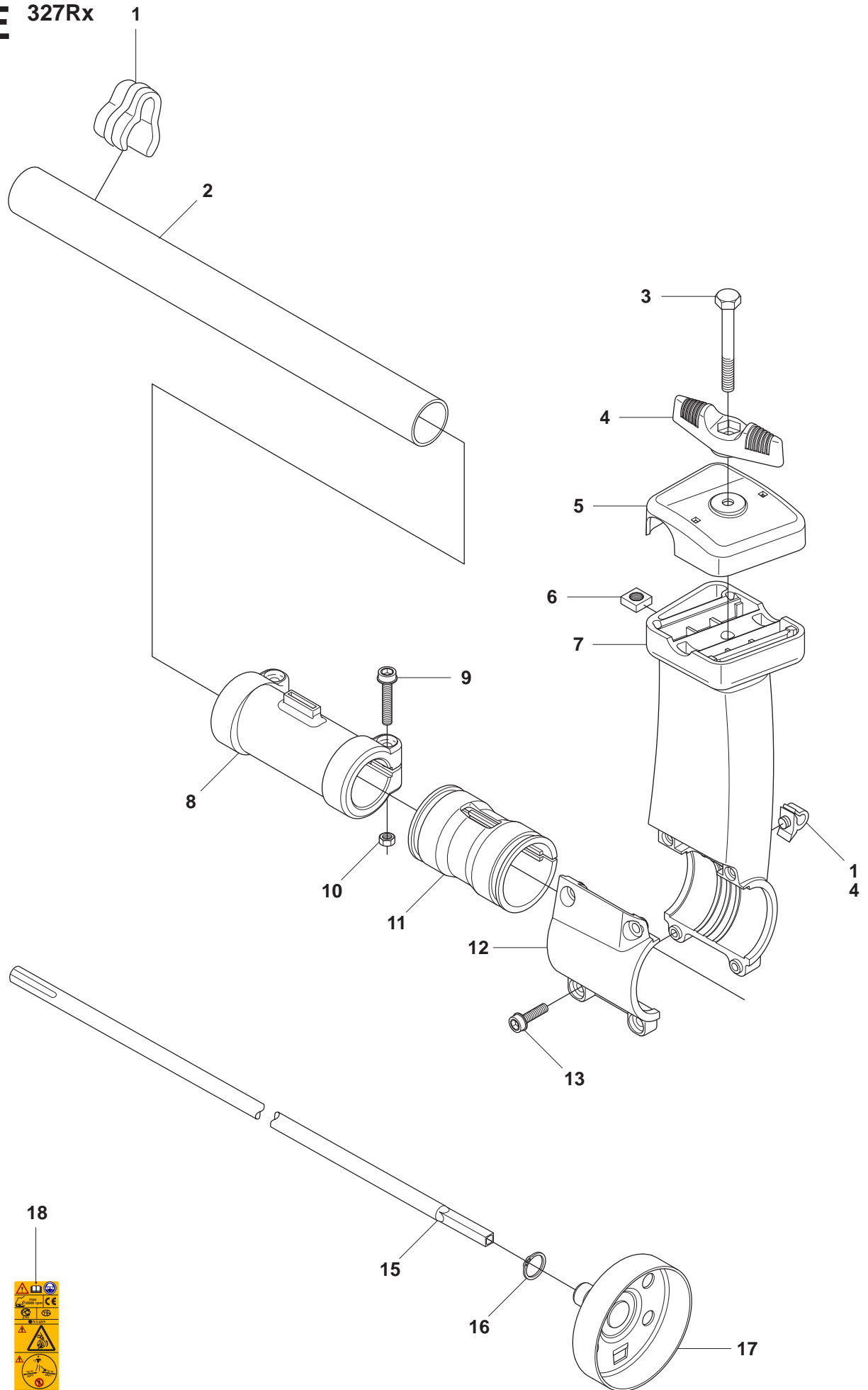
D 323R11



Page Title	Image name	Page Note	Sequence # (i vilken ordning bilderna ska komma i listan)
BEVEL GEAR & SHAFT			4

D					
Position #	Article #	Quantity	Notes	Kit	
1	725 23 86-51	1			
2	502 20 38-01	1			
3	503 72 29-01	1			
4	502 21 12-01	1			
5	503 88 88-01	1			
6	503 88 23-01	1			
7	503 20 07-16	1			
8	503 94 10-01	1			
9	731 23 14-01	1			
10	503 21 75-25	2			
11	502 19 71-01	1			
12	537 23 48-01	1			
13	735 31 12-00	1			
14	537 23 75-01	1			
15	537 29 48-01	1			

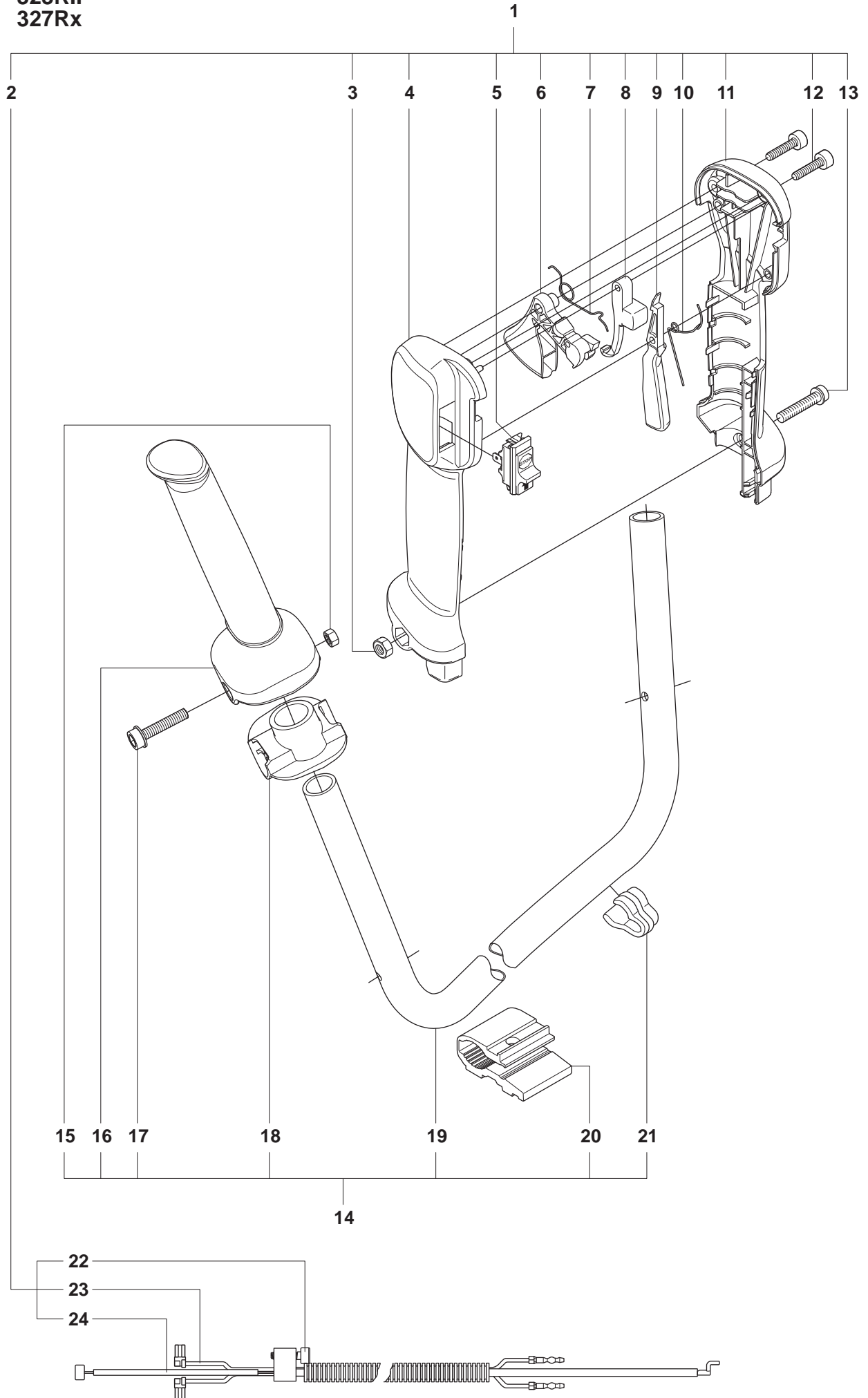
E 327Rx



Page Title	Image name	Page Note	Sequence # (i vilken ordning bilderna ska komma i listan)
SHAFT & HANDLE			5

E					
Position #	Article #	Quantity	Notes	Kit	
1	502 21 12-01	1			
2	503 88 88-01	1			
3	725 23 82-85	1			
4	502 20 38-01	1			
5	537 37 63-01	1			
6	502 19 71-01	1			
7	537 34 86-01	1			
8	537 34 88-03	1			
9	503 20 02-25	2			
10	731 23 14-01	2			
11	537 34 89-01	1			
12	537 34 87-01	1			
13	503 21 06-19	4			
14	502 28 61-01	1			
15	537 23 48-01	1			
16	735 31 12-00	1			
17	537 23 75-01	1			
18	537 29 48-01	1			

F 323RII
327Rx

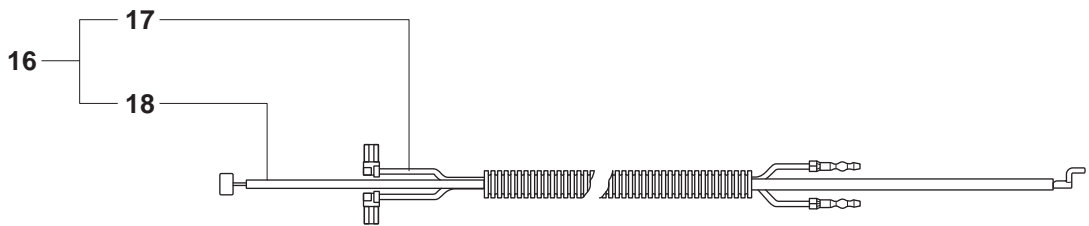
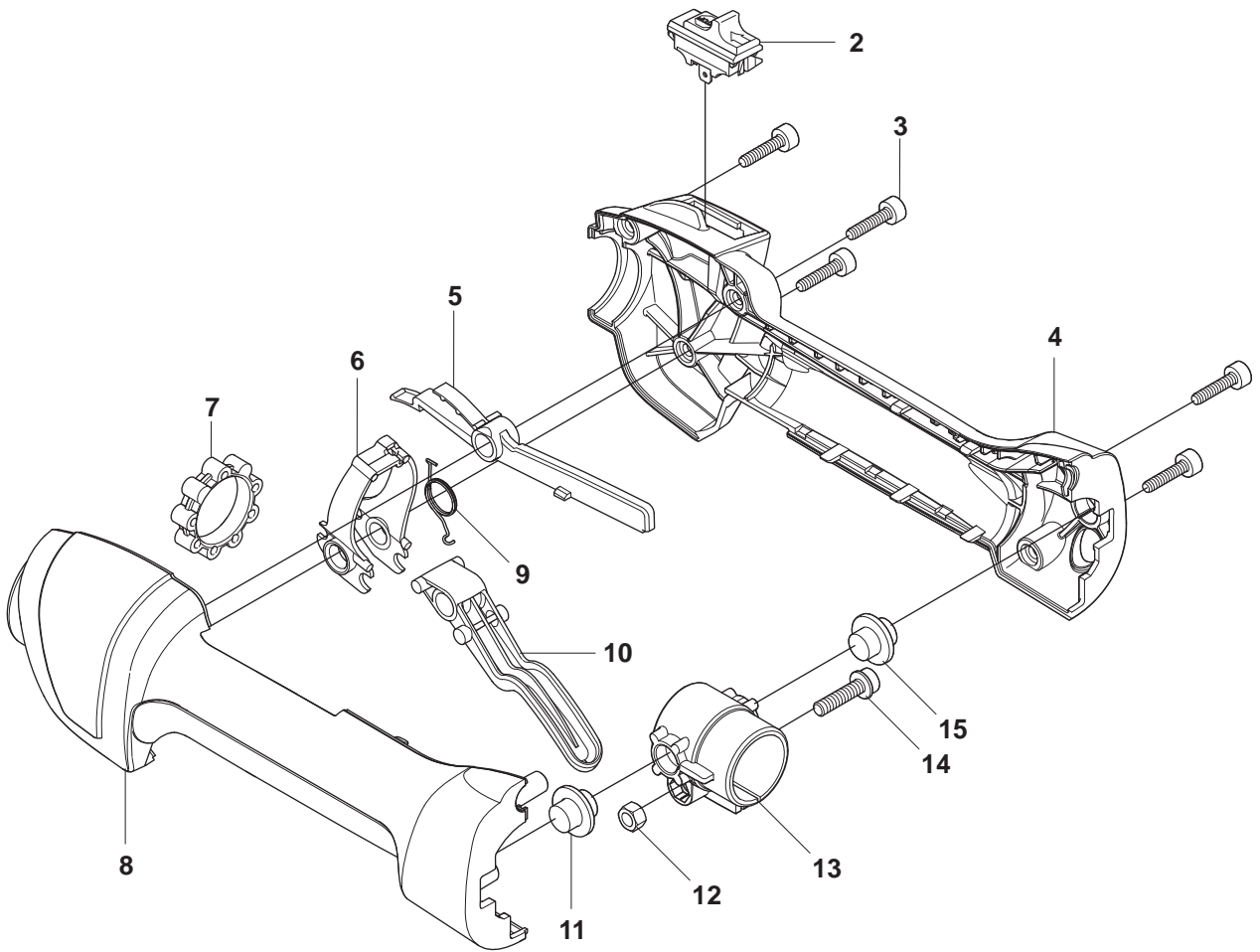


Page Title	Image name	Page Note	Sequence # (i vilken ordning bilderna ska komma i listan)
THROTTLE CONTROLS			6

F	Position #	Article #	Quantity	Notes	Kit
	1	537 42 45-11	1		
	2	502 65 41-01	1		
	3	503 22 10-13	1		
	4	537 16 02-02	1	327RX	
	4	537 16 02-03	1	323 RII	
	5	537 41 90-01	1		
	6	537 16 08-01	1		
	7	537 17 42-01	1		
	8	537 16 07-01	1		
	9	537 16 06-01	1		
	10	537 17 43-01	1		
	11	537 16 03-02	1	27RX	
	11	537 16 03-01	1	323 RII	
	12	503 21 66-18	2		
	13	503 20 07-35	1		
	14	503 72 43-09	1		
	15	731 23 14-01	1		
	16	537 17 28-01	1		
	17	503 20 02-45	1		
	18	537 17 29-01	1		
	19	537 36 00-01	1		
	20	544 02 09-01	1		
	21	502 21 12-01	1		
	22	503 21 66-18	1		
	23	502 53 16-02	1		
	24	537 17 39-01	1		

G 327Lx
327LDx
327RJx

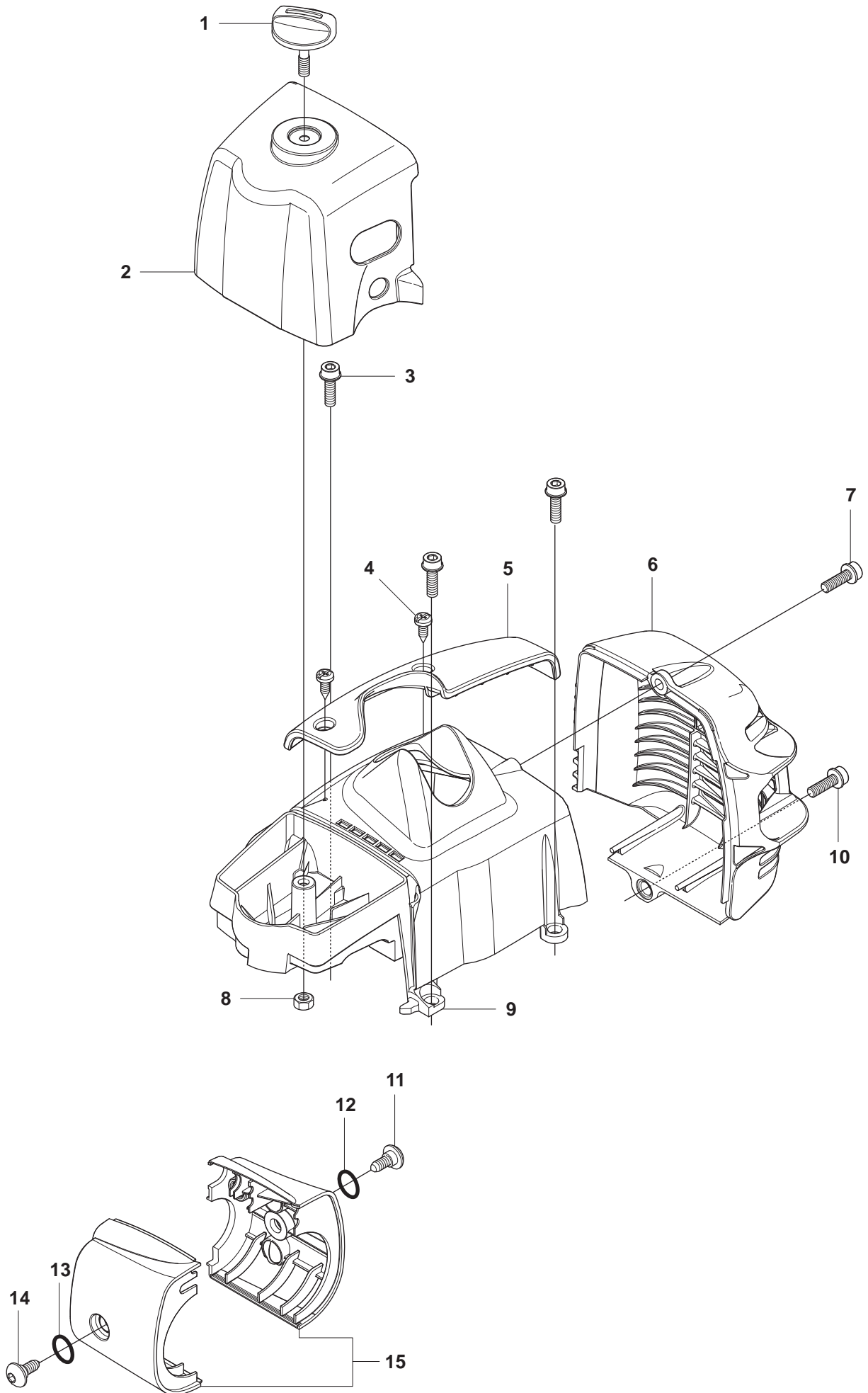
1



Page Title	Image name	Page Note	Sequence # (i vilken ordning bilderna ska komma i listan)
THROTTLE CONTROLS			7

G				
Position #	Article #	Quantity	Notes	Kit
1	544 14 36-04	1		
2	537 41 90-01	1		1
3	503 21 66-18	5		1
4	544 10 02-02	1		1
5	503 87 80-01	1		1
6	503 91 81-01	1		1
7	503 96 14-01	1		1
8	544 10 03-02	1		1
9	544 10 08-01	1		1
10	503 87 79-03	1		1
11	544 10 17-02	1		1
12	731 23 14-01	1		1
13	544 11 21-01	1		1
14	503 20 03-20	1		1
15	544 10 17-02	1		1
16	502 65 13-01	1		1
17	502 53 16-01	1		1,16
18	544 17 17-03	1		1,16

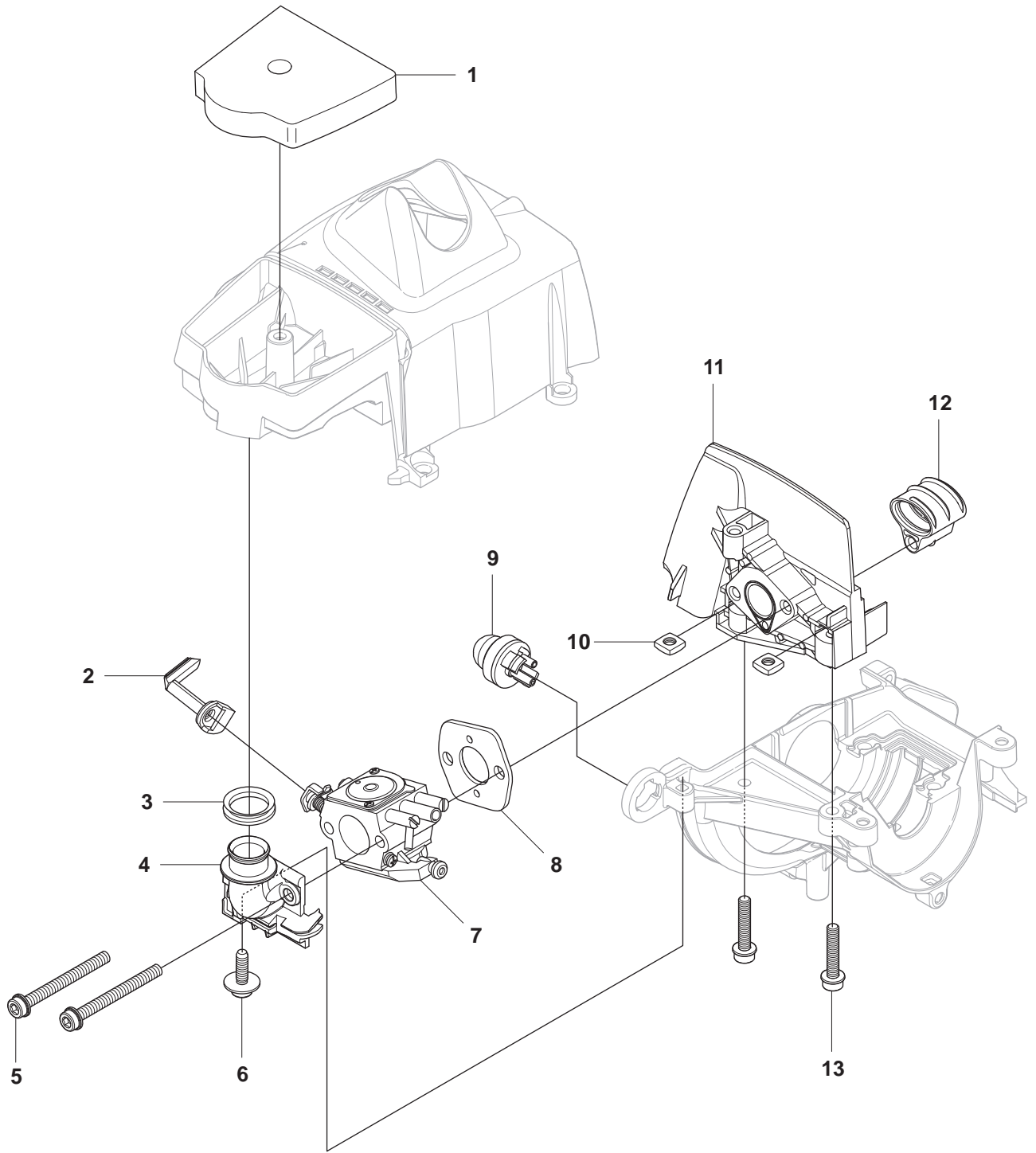
H 327Lx, LDx, Rx, RDx, RJx
323RII



Page Title	Image name	Page Note	Sequence # (i vilken ordning bilderna ska komma i listan)
COVER			8

H	Position #	Article #	Quantity	Notes	Kit
	1	537 21 32-10	1		
	2	502 48 13-01	1		
	3	503 20 03-16	4	M5x16	
	4	503 21 35-12	2		
	5	502 48 16-01	1		
	6	544 84 81-01	1		
	7	503 21 68-20	1		
	8	503 22 24-01	1		
	9	502 48 14-01	1		
	10	503 20 03-16	1		
	11	503 96 13-01	1		
	12	740 42 06-00	1		
	13	740 42 06-00	1		
	14	503 96 13-01	1		
	15	502 48 15-01	1		

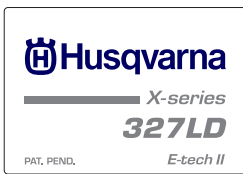
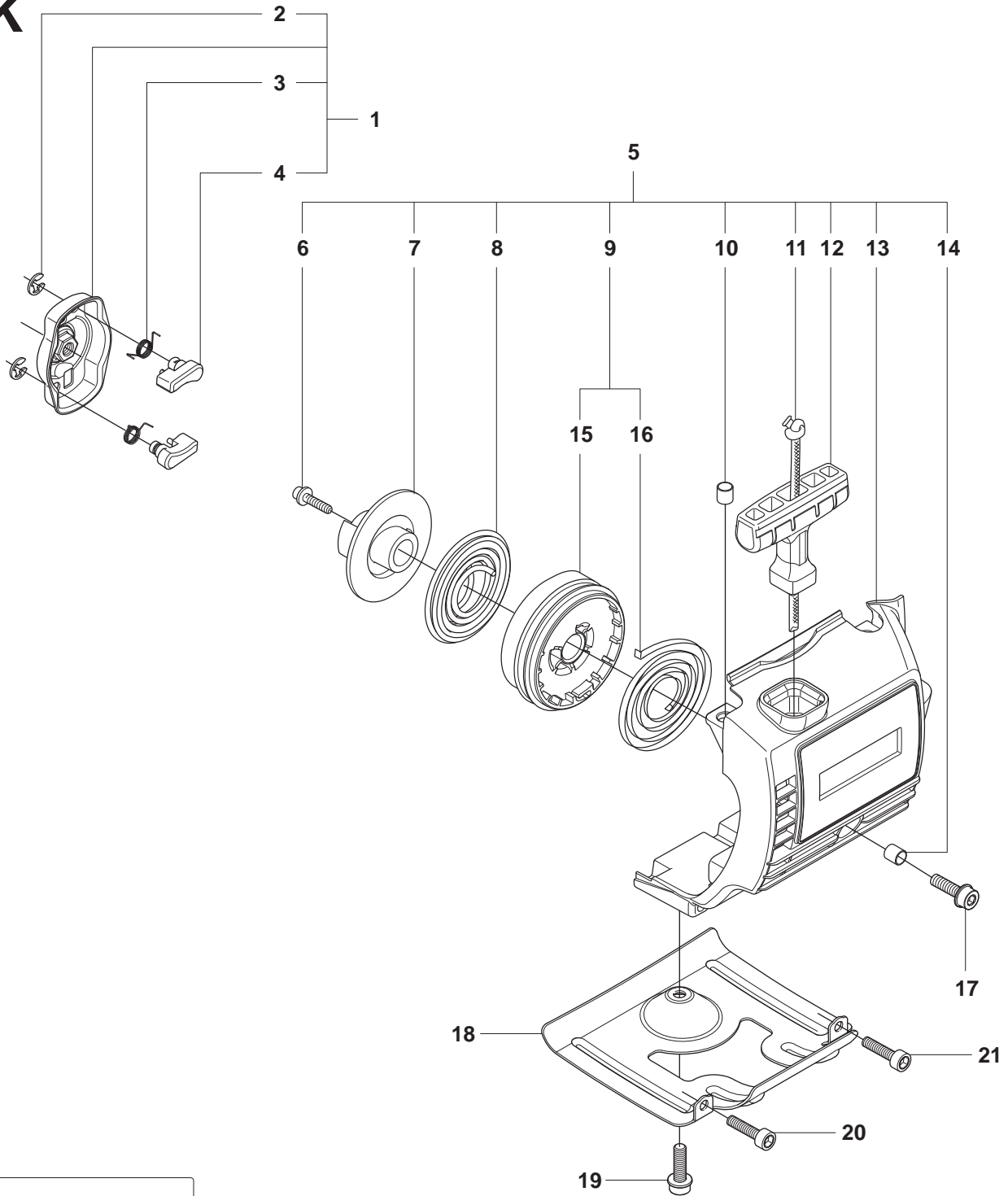
J



Page Title	Image name	Page Note	Sequence # (i vilken ordning bilderna ska komma i listan)
CARBURETOR & AIRFILTER			9

J					
Position #	Article #	Quantity	Notes	Kit	
1	537 14 31-03	1			
2	503 96 25-01	1			
3	740 68 11-21	1			
4	502 49 90-01	1			
5	503 21 75-50	2			
6	503 21 77-16	1			
7	503 28 34-01	1	Zama C1Q-EL24		
8	503 49 71-01	1			
9	503 93 66-01	1			
10	503 22 65-04	2			
11	503 91 09-01	1			
12	503 94 26-01	1			
13	503 20 03-25	2			

K



22



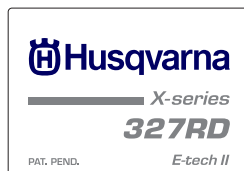
23



25



24

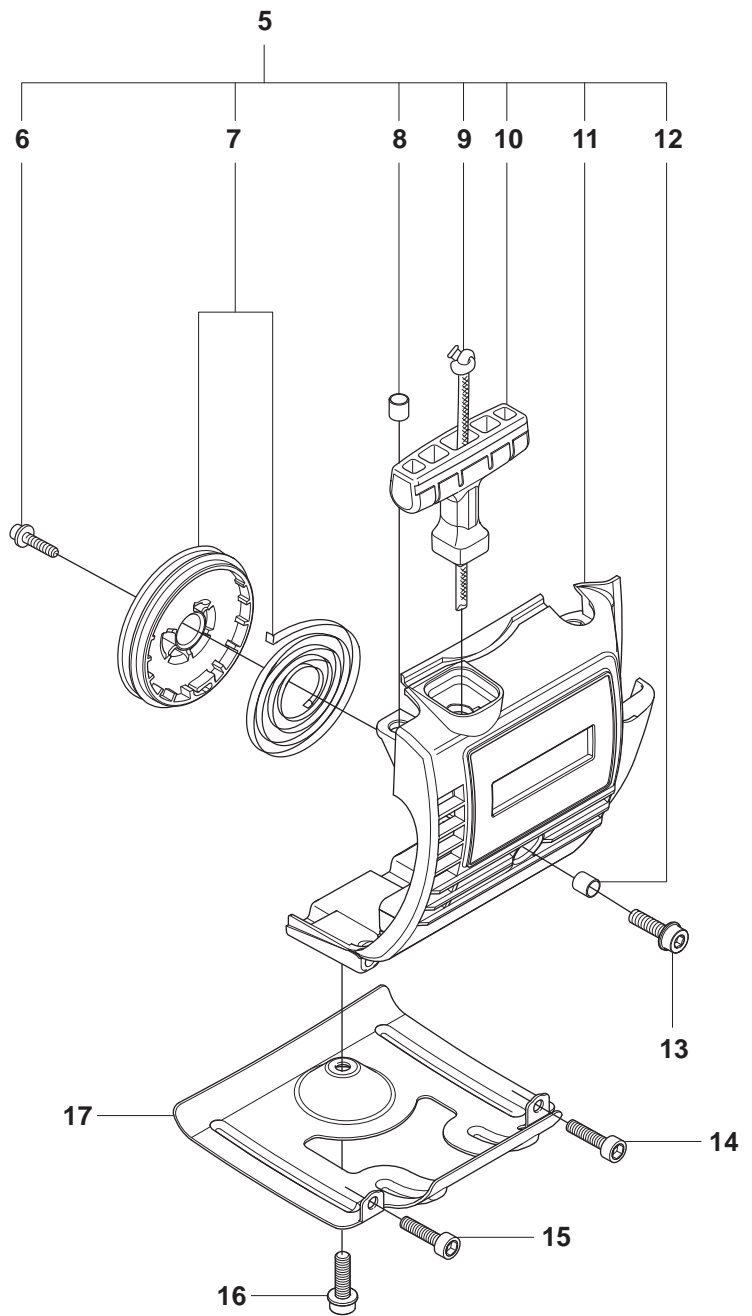
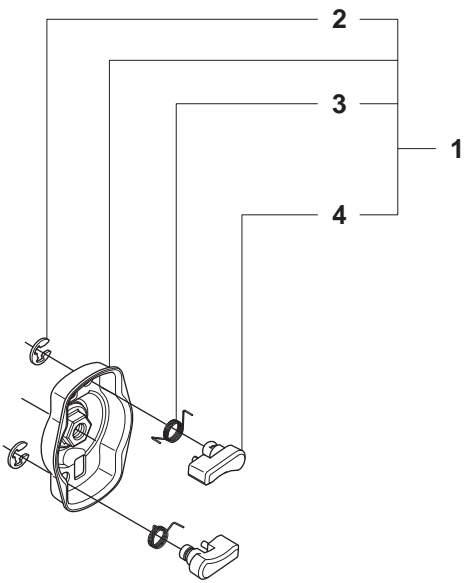


26

Page Title	Image name	Page Note	Sequence # (i vilken ordning bilderna ska komma i listan)
STARTER			10

K				
Position #	Article #	Quantity	Notes	Kit
1	503 87 33-05	1		
2	735 31 08-20	2		1
3	503 87 36-01	2		1
4	503 87 35-02	2		1
5	544 07 11-02	1		
6	503 21 77-25	1		5
7	544 03 87-01	1		5
8	544 03 88-01	1		5
9	544 16 65-01	1		5
10	537 37 93-02	2		5
11	503 85 89-01	1		5
12	537 00 84-01	1		5
13	537 41 16-01	1		5
14	537 37 93-02	1		5
15	544 03 86-01	1		5, 9
16	503 85 90-01	1		5, 9
17	503 20 03-16	1	M5x16	
18	537 03 41-01	1		
19	503 20 14-12	1	M5x12	
20	503 21 66-18	1		
21	503 21 66-18	1		
22	537 35 34-56	1	327LDx	
23	537 35 34-57	1	327RJx	
24	537 35 34-58	1	323RII	
25	537 35 34-59	1	327Rx	
26	537 35 34-60	1	327RDx	

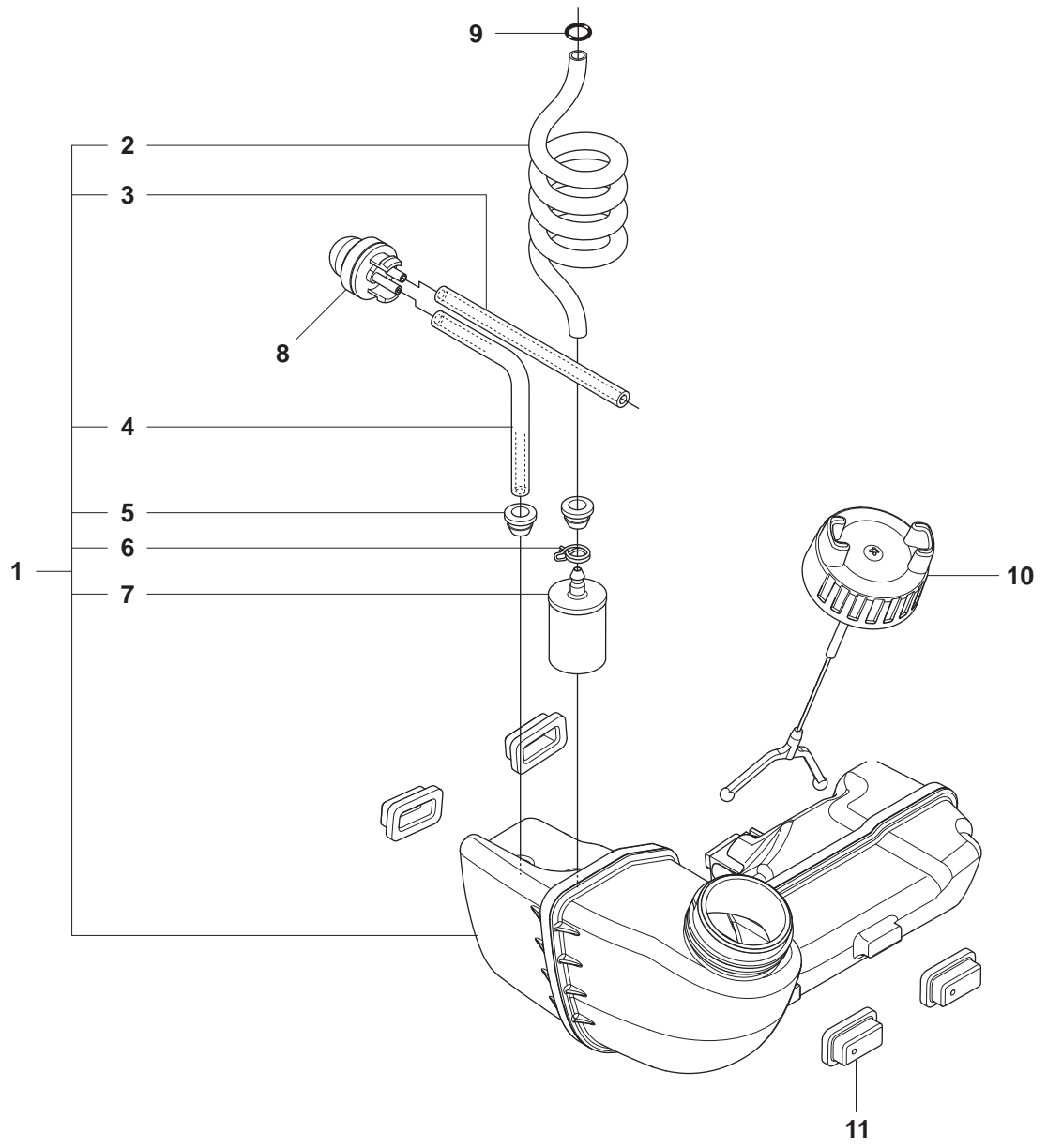
L



Page Title	Image name	Page Note	Sequence # (i vilken ordning bilderna ska komma i listan)
STARTER			11

Position #	Article #	Quantity	Notes	Kit
1	503 87 33-05	1		
2	735 31 08-20	2		1
3	503 87 36-01	1		1
4	503 87 35-02	2		1
5	503 85 28-06	1		
6	503 21 77-16	1		5
7	503 96 49-01	1		5
8	537 37 93-02	2		5
9	503 85 89-01	1		5
10	537 00 84-01	1		5
11	503 85 87-02	1		5
12	537 37 93-02	1		5
13	503 20 03-16	1	M5x16	
14	503 21 66-18	1		
15	503 21 66-18	1		
16	503 20 14-12	1	M5x12	
17	537 03 41-01	1		

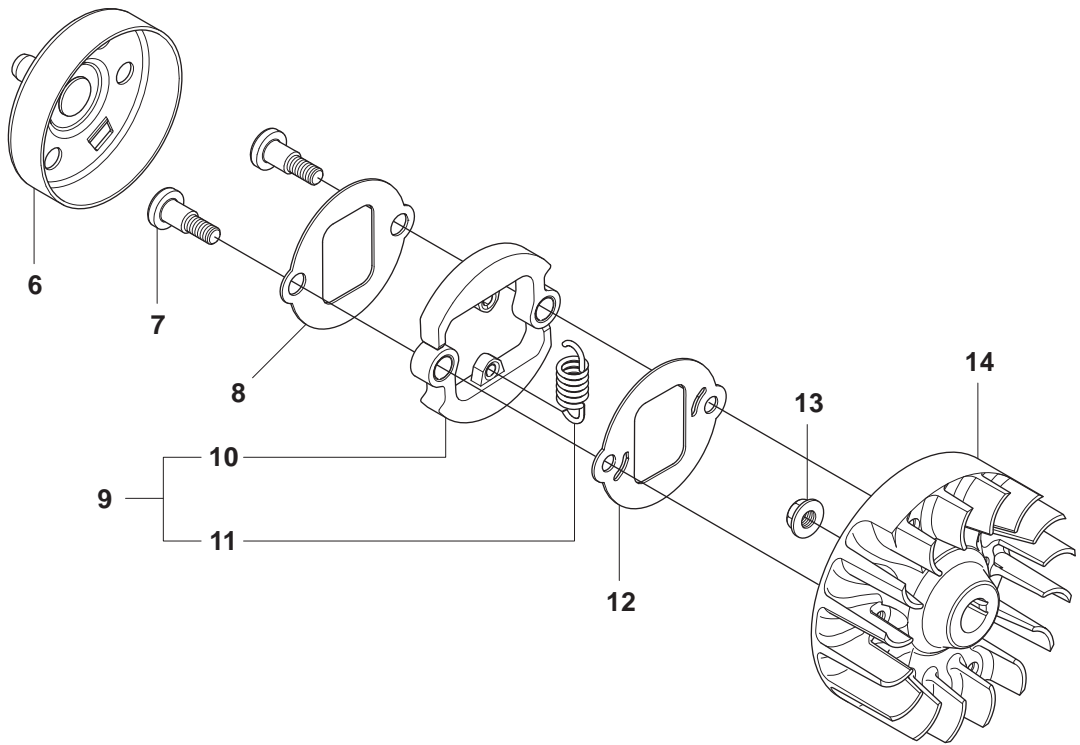
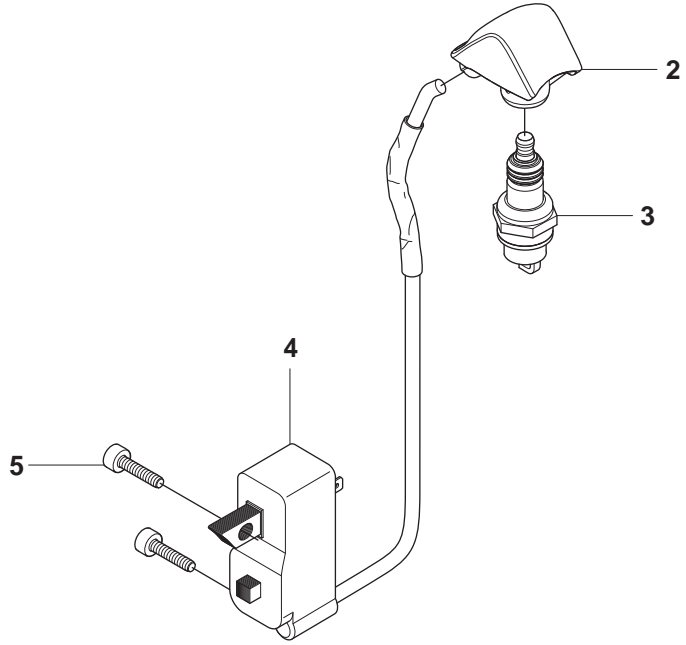
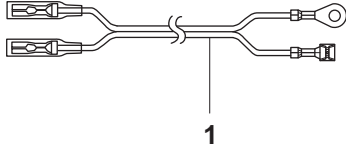
M



Page Title	Image name	Page Note	Sequence # (i vilken ordning bilderna ska komma i listan)
FUEL TANK			12

M				
Position #	Article #	Quantity	Notes	Kit
1	537 06 86-07	1		
2	544 32 50-01	1		1
3	537 04 24-01	1		1
4	537 04 24-01	1		1
5	503 73 58-01	2		1
6	504 02 24-01	1		1
7	503 44 32-01	1		1
8	503 93 66-01	1		
9	537 18 49-01	1		
10	544 88 97-02	1		
11	503 91 10-01	4		

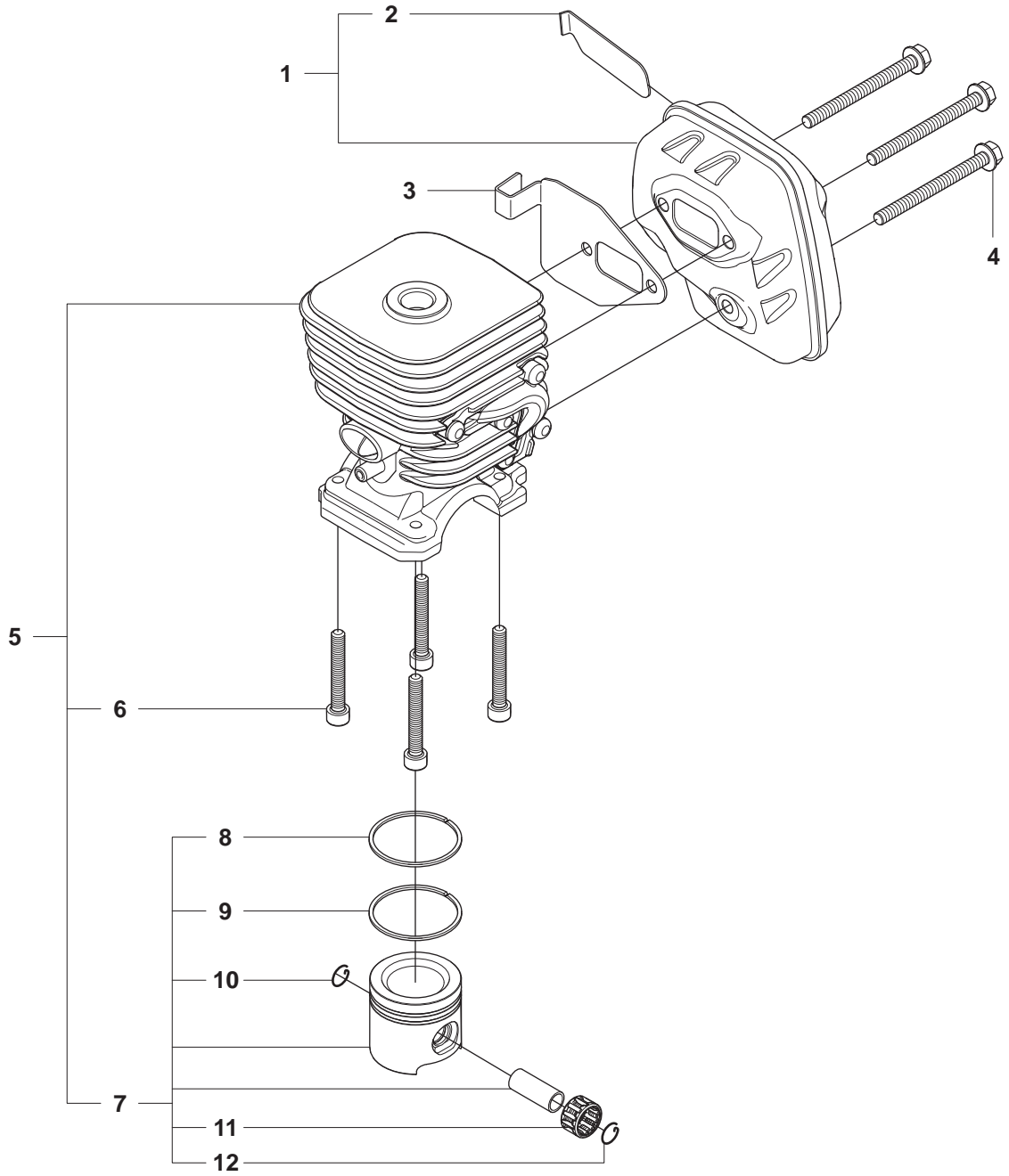
N



Page Title	Image name	Page Note	Sequence # (i vilken ordning bilderna ska komma i listan)
IGNITION & CLUTCH			13

N Position #	Article #	Quantity	Notes	Kit
1	502 49 36-01	1		
2	537 43 43-01	1		
3	503 23 51-09	1	Champion RCJ 6Y	
4	502 49 37-01	1		
5	503 21 66-18	2		
6	537 23 75-01	1		
7	503 84 29-02	2		
8	537 04 67-02	1		
9	537 03 22-01	1		
10	503 84 28-01	2		9
11	503 81 60-01	1		9
12	537 04 68-02	1		
13	731 71 16-51	1		
14	537 24 96-02	1		

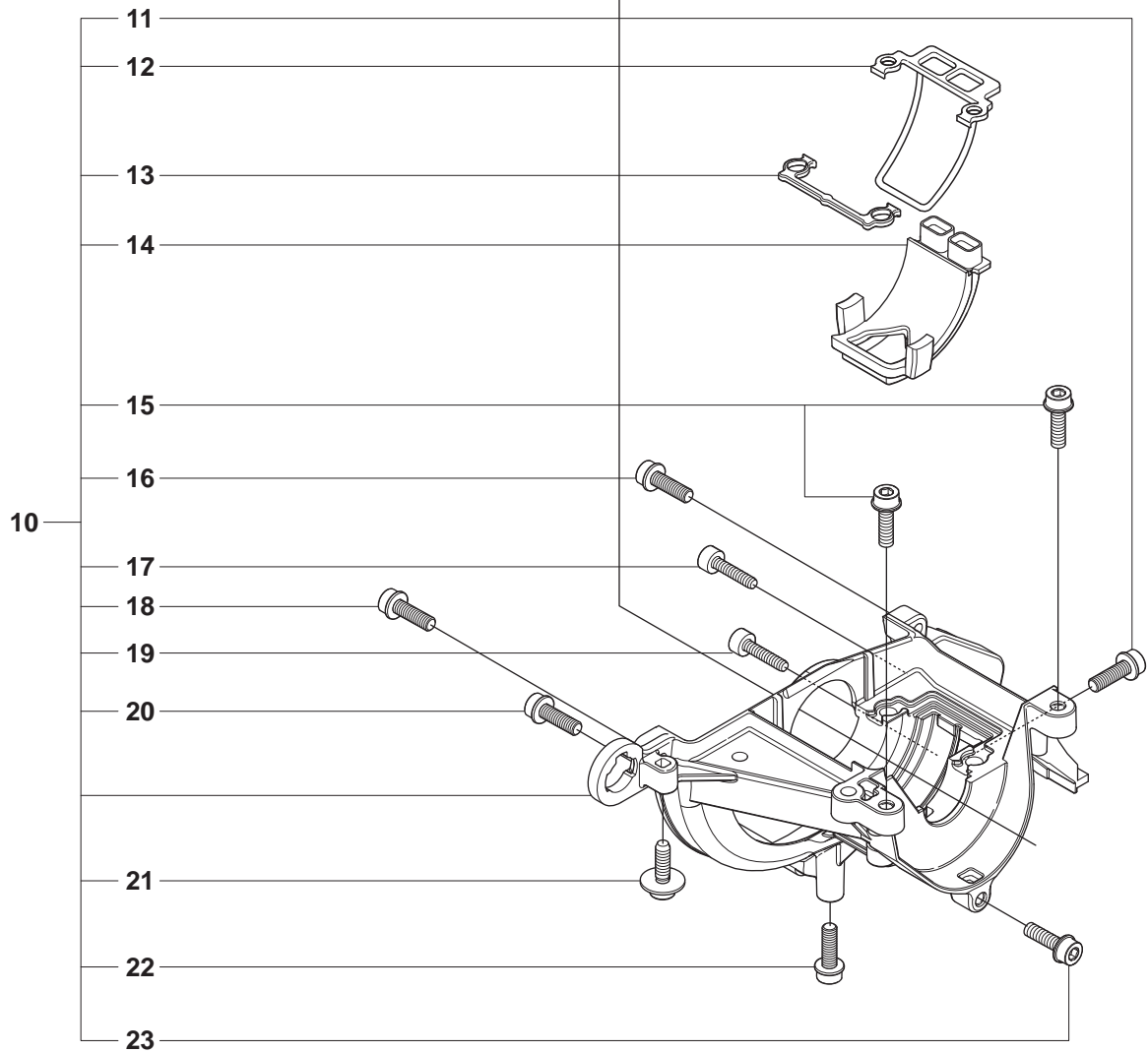
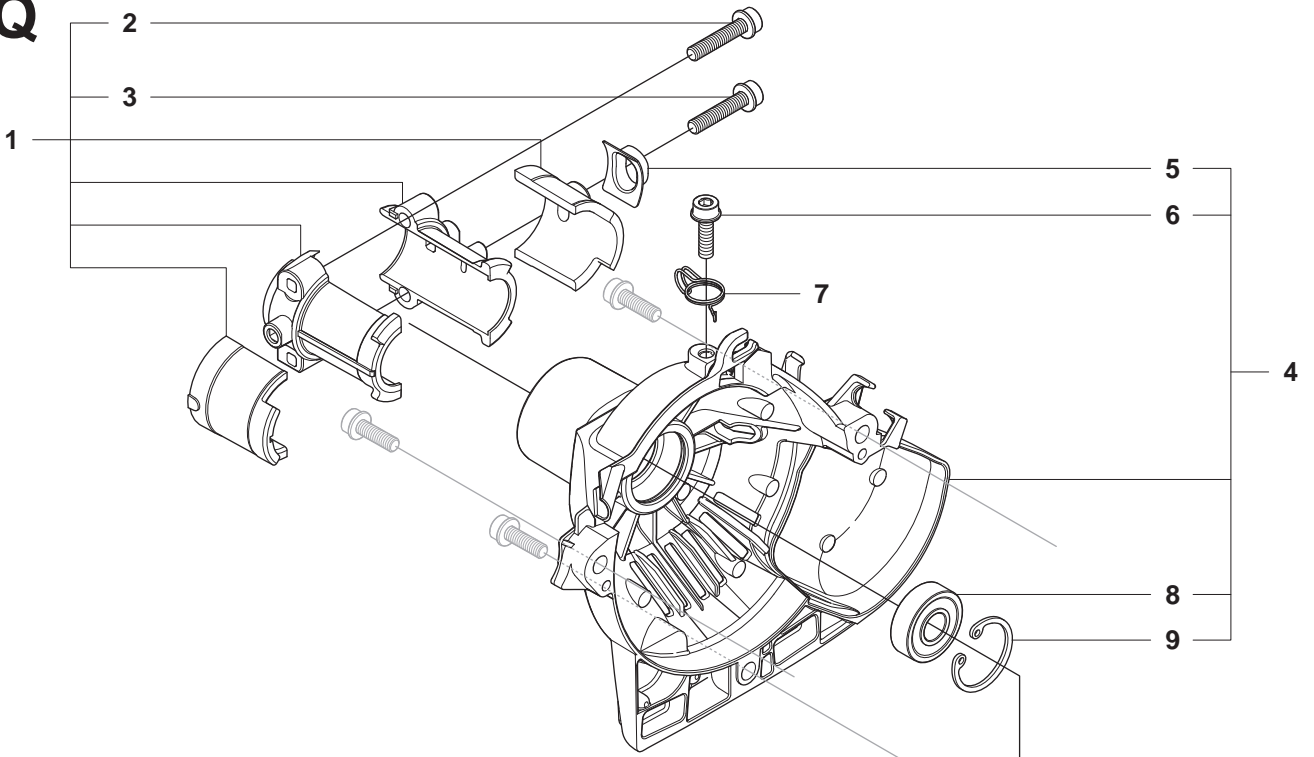
P



Page Title	Image name	Page Note	Sequence # (i vilken ordning bilderna ska komma i listan)
CYLINDER PISTON & MUFFLER			14

P				
Position #	Article #	Quantity	Notes	Kit
1	537 22 17-04	1	Cat.	
2	537 22 18-01	1		1
3	537 01 41-01	1		
4	502 07 81-01	3		
5	537 08 51-03	1	Ø=34mm	
6	503 20 07-35	4		5
7	537 40 59-02	1		5
8	537 40 62-01	1		7
9	537 40 62-01	1		7
10	737 44 08-00	1		7
11	503 71 22-01	1		7
12	737 44 08-00	1		7

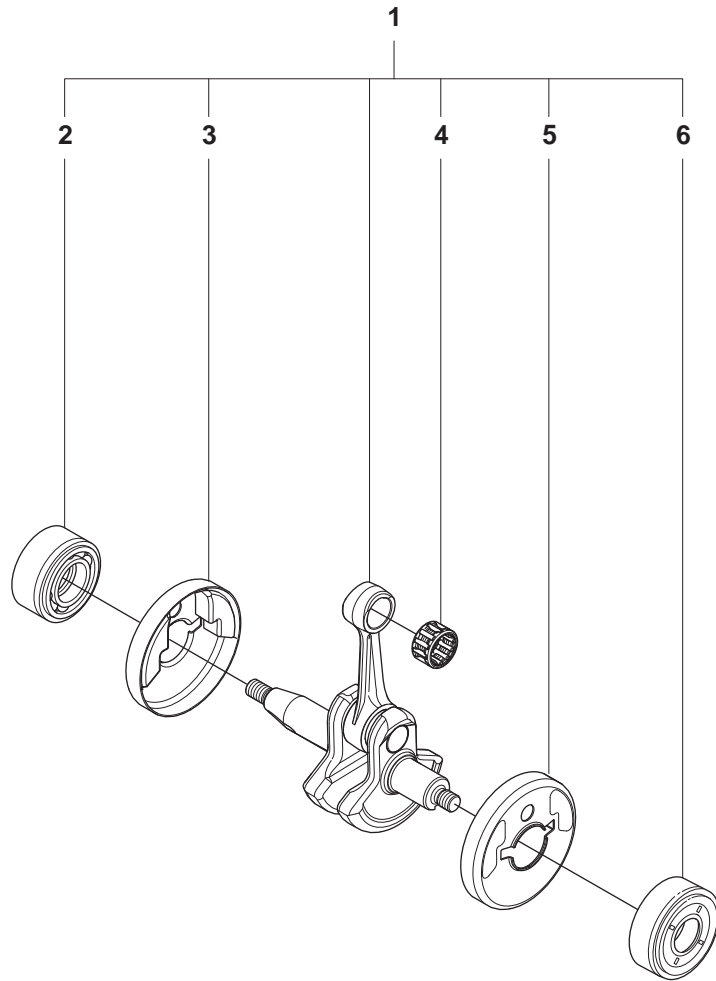
Q



Page Title	Image name	Page Note	Sequence # (i vilken ordning bilderna ska komma i listan)
CRANK CASE			15

Q	Position #	Article #	Quantity	Notes	Kit
	1	537 30 96-01	1		
	2	503 21 68-25	1		1
	3	503 21 68-25	1		1
	4	537 04 12-09	1		
	5	537 42 50-01	1		4
	6	503 20 03-16	1	M5x16	4
	7	537 07 36-01	1		
	8	503 25 05-01	1		4
	9	537 33 67-01	1		4
	10	537 08 52-02	1		
	11	503 20 03-16	1		10
	12	537 06 69-01	1		10
	13	537 08 85-01	1		10
	14	537 06 68-01	1		10
	15	503 20 03-16	1		10
	16	503 20 03-16	1		10
	17	503 21 66-18	1		10
	18	503 20 03-16	1		10
	19	503 21 66-18	1		10
	20	503 20 03-16	1		10
	21	503 21 77-16	1		10
	22	503 20 14-12	1	M5x12	10
	23	503 20 03-16	1		10

R



Page Title	Image name	Page Note	Sequence # (i vilken ordning bilderna ska komma i listan)
CRANK CASE			16

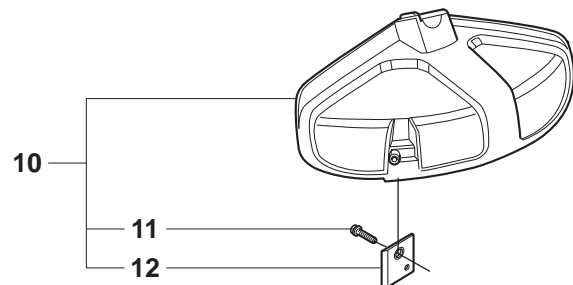
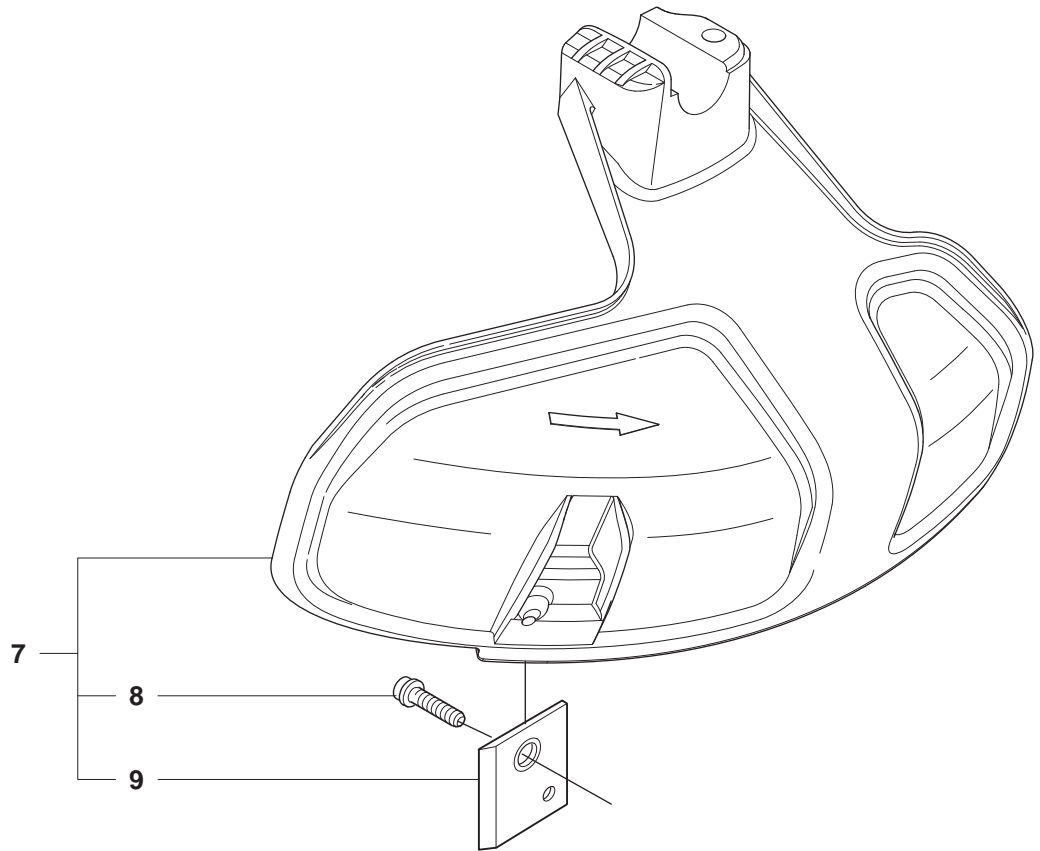
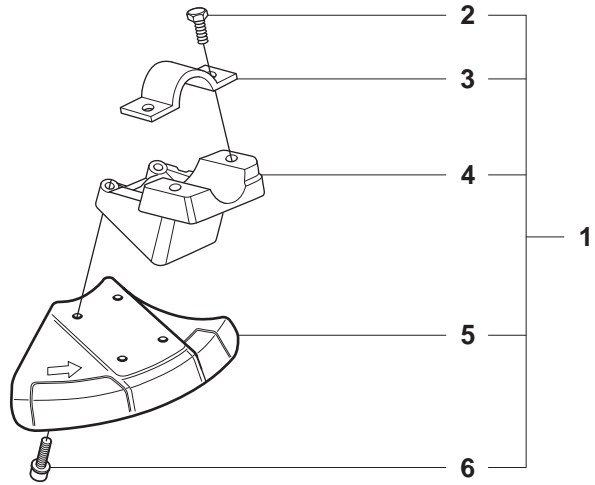
R

Position #	Article #	Quantity	Notes	Kit
1	503 85 24-74	1		
2	503 94 02-03	1		1
3	503 94 05-01	1		1
4	503 71 22-01	1		1
5	503 94 05-01	1		1
6	503 94 02-03	1		1

Page Title	Image name	Page Note	Sequence # (i vilken ordning bilderna ska komma i listan)
ACCESSORIES			17

S	Position #	Article #	Quantity	Notes	Kit
	1	503 28 34-01	1	Zama C1Q-EL24	
	2	503 97 43-01	1		1
	3	503 48 05-01	2		1
	4	537 02 02-01	1		1
	5	537 02 07-01	1		1
	6	503 48 11-01	1		1
	7	503 47 96-01	1		1
	8	537 04 89-01	1		1,A,B
	9	537 02 04-01	1		1,A,B
	10	537 02 01-01	1		1,A,B
	11	537 02 00-01	1		1,A,B
	12	503 53 57-01	1		1,B
	13	503 48 01-01	1		1
	14	503 48 00-01	1		1,B
	15	503 66 59-01	1		1,B
	16	537 02 03-01	1		1,B
	17	503 47 97-01	1		1,B
	18	537 02 08-01	1		1,B
	19	537 01 25-01	1		1
	20	537 01 26-01	1		1
	21	537 37 03-01	1		1
	22	537 37 03-01	1		1
	23	503 48 18-01	1		1
	24	503 48 19-01	1		1
	25	537 04 90-01	1		1
	26	537 02 10-01	1		1
	27	503 75 53-01	1		1
	28	537 01 96-01	1		1
	29	537 01 99-01	1		1
	30	503 47 92-01	1		1
	31	537 01 97-01	1		1
	32	503 47 89-01	1		1
	33	537 01 98-01	1		1
	34	503 47 90-01	1		1
	35	537 02 06-01	1		1
	36	537 12 78-01	1		1
	37	503 97 40-01	1		1
	38	503 48 08-01	1		1
	39	537 02 16-01	1		1
	40	537 02 16-01	1		1
	41,A	531 00 45-52	1		
	42,B	531 00 45-53	1		

T Accessories
Zubehöre
Accessoires
Acessorios
Tillbehör

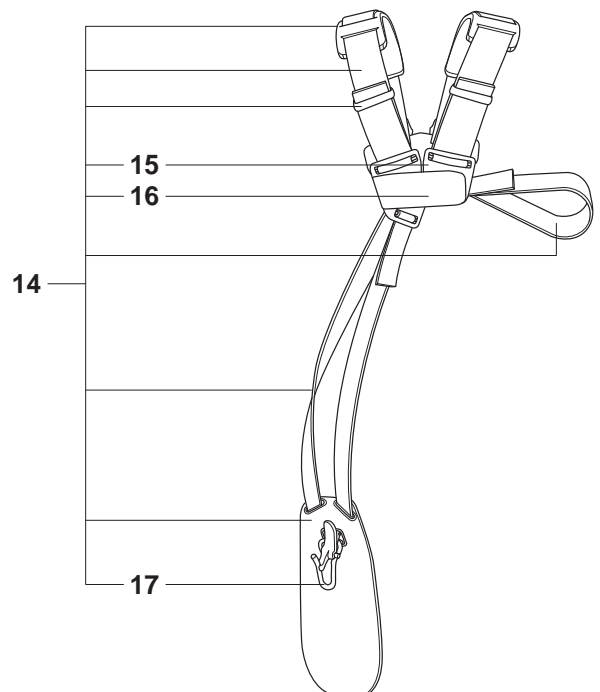
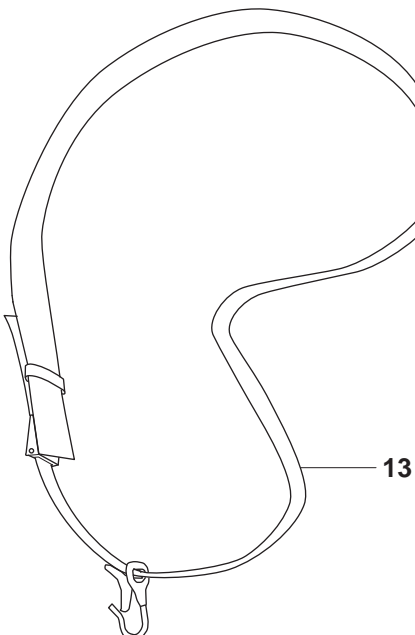
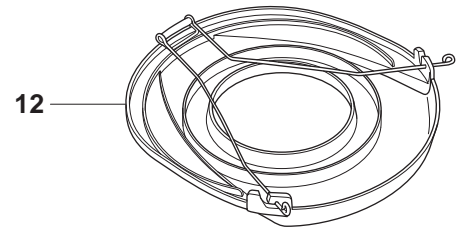
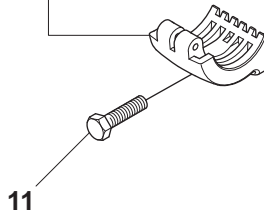
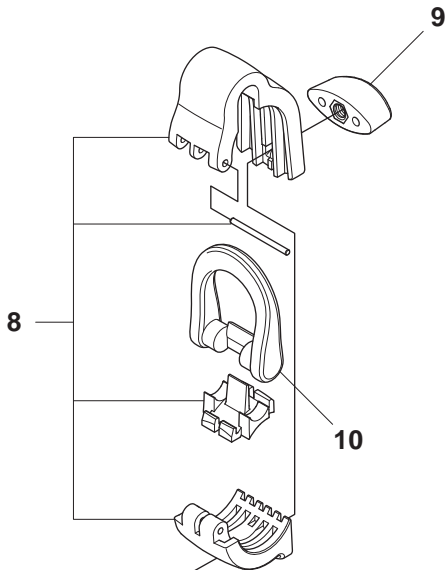
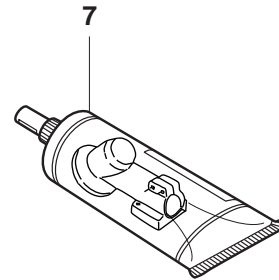
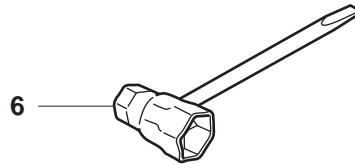
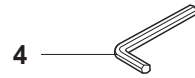
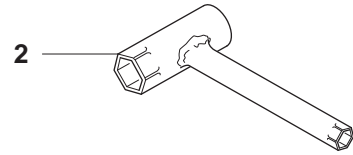
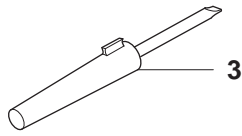
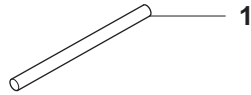
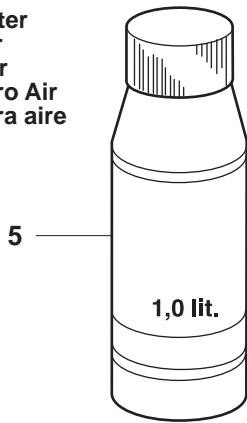


Page Title	Image name	Page Note	Sequence # (i vilken ordning bilderna ska komma i listan)
CARBURETOR			18

T	Position #	Article #	Quantity	Notes	Kit
	1	537 29 95-01	1	323RII, 327Rx	
	2	725 23 68-71	2		1
	3	537 04 75-01	1		1
	4	537 29 34-01	1		1
	5	502 27 22-01	1		1
	6	503 21 75-16	4		1
	7	503 97 71-01	1	327Lx, 327LDx	
	8	503 21 07-16	1		7
	9	503 79 88-01	1		7
	10	503 93 42-02	1	323RII, 327Rx	
	11	503 21 07-16	1		10
	12	503 79 88-01	1		10

U Accessories
 Zubehöre
 Accessoires
 Accesorios
 Tillbehör

Olja Luftfilter
 Oil Airfilter
 Öl Luftfilter
 Aceite Filtro Air
 Huile Filtera aire

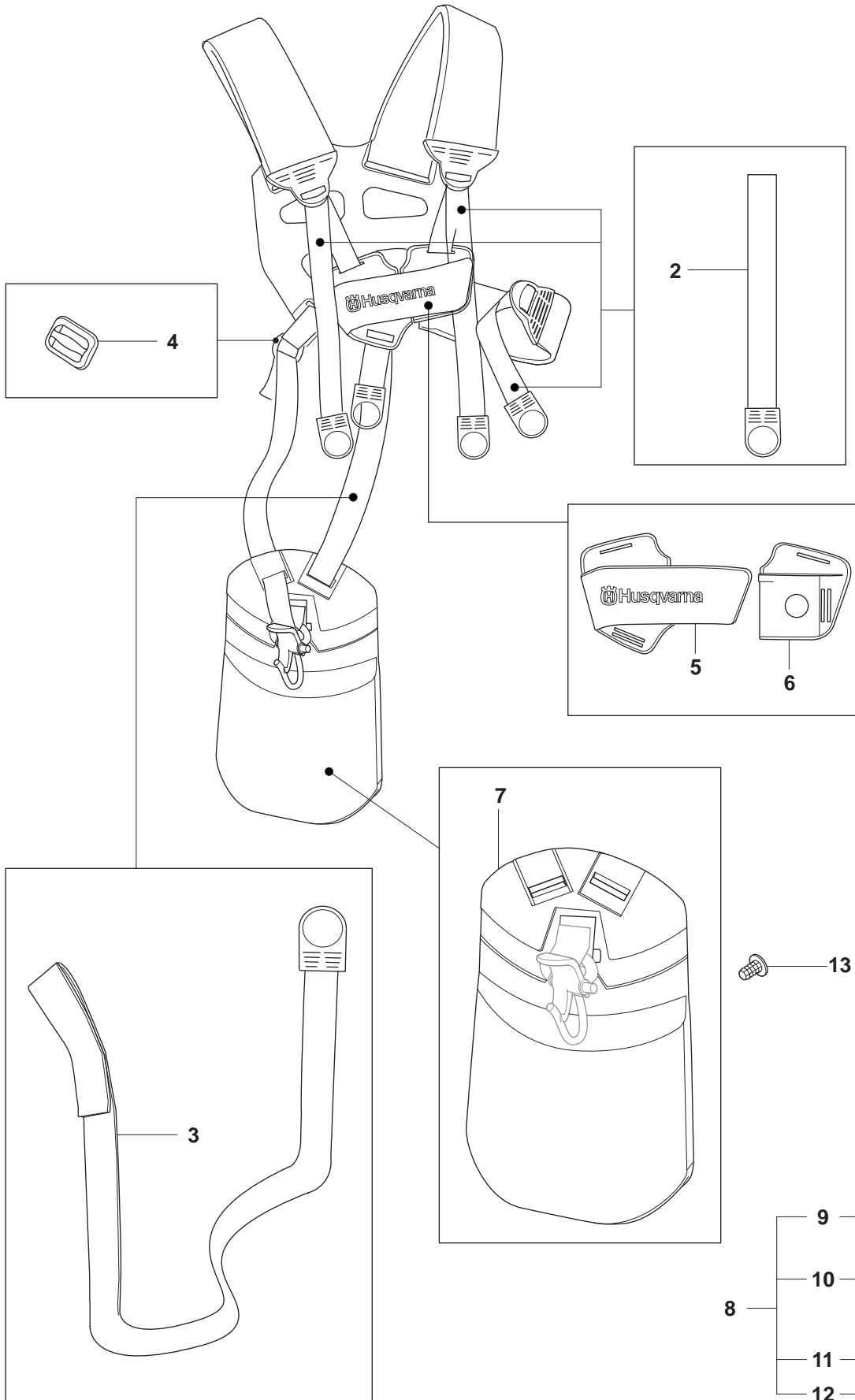


Page Title	Image name	Page Note	Sequence # (i vilken ordning bilderna ska komma i listan)
ACCESSORIES			19

U Position #	Article #	Quantity	Notes	Kit
1	502 28 59-01	1		
2	502 11 46-02	1		
3	501 60 02-03	1		
4	502 21 58-01	1		
5	531 00 92-48	1		
6	501 69 17-01	1		
7	503 97 64-01	1		
8	537 35 36-01	1		
9	537 13 04-02	1		
10	537 35 01-01	1		
11	725 23 31-51	1		
12	537 31 29-01	1	200-275 mm	
13	537 21 62-01	1		
13	537 21 62-02	1	USA	
14	537 21 63-01	1		
14	537 21 63-02	1	USA	
15	503 73 40-01	1		14
16	503 73 41-02	1		14
17	502 02 28-02	1		14

V Duo Balance

1



Page Title	Image name	Page Note	Sequence # (i vilken ordning bilderna ska komma i listan)
HARNESS			20

V				
Position #	Article #	Quantity	Notes	Kit
1	537 27 57-01	1		
1	537 27 57-03	1	US	1
2	503 99 61-01	3		1
3	503 99 61-03	1		1
4	537 11 35-01	1		1
5	537 28 84-01	1		1
6	537 28 83-01	1		1
7	537 27 59-01	1		1
8	502 02 28-01	1		1
9	502 02 30-02	1		1,8
10	502 02 38-01	1		1,8
11	502 02 29-02	1		1,8
12	735 31 09-20	1		1,8
13	537 17 54-01	3		1